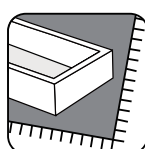
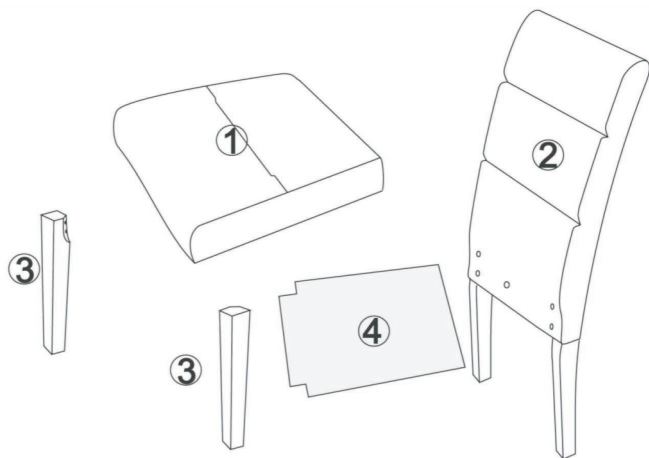


Dining Chair HOUSTON





OUTILLAGE

TOOLS

HERRAMIENTSA

WERKZEUGE

No.	Taille	Qté	Ctn no.
No.	Size	Qty	Ctn no.
No.	Tamaño	Cant	Ctn no.
Nr.	Maße	Anzahl	Ktn nr.
1	480x440x120mm	1	1
2	1030x400x80mm	1	1
3	40x40x425mm	2	1
4	440x420x1mm	1	1

Hardware	Ctn No.	1
----------	---------	---

101	x 4
M8 x 80MM	

102	x 1
M8 x 50MM	

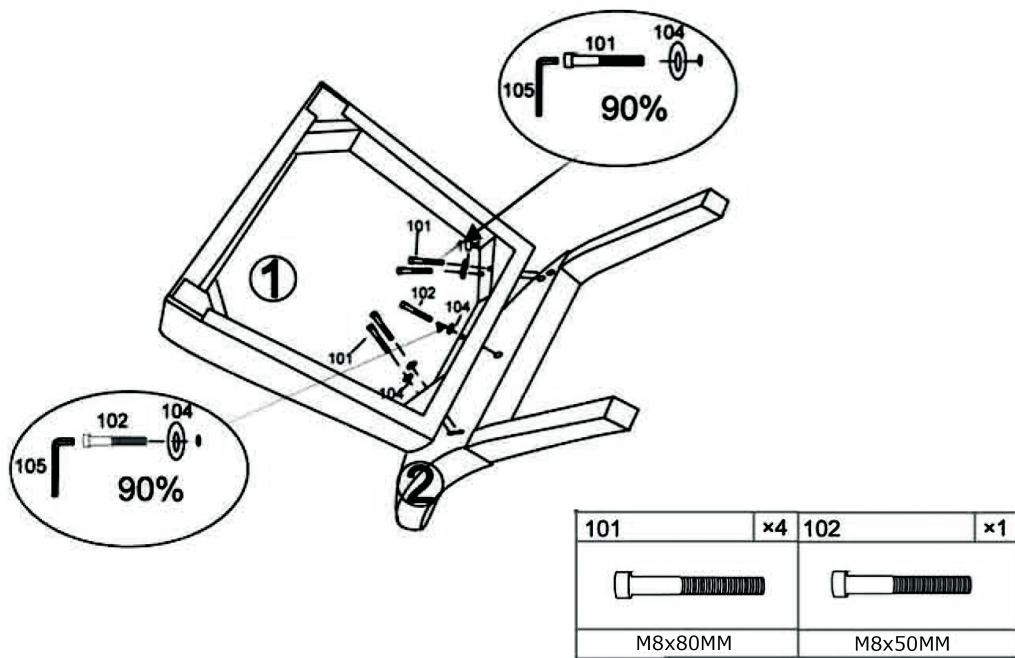
103	x 4
M8 x 60MM	

104	x 9
Φ8xΦ22xT1.5MM	

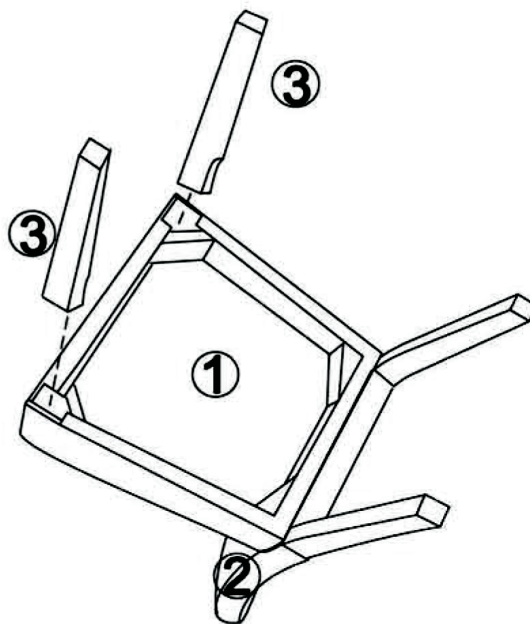
105	x 1
M8	

106	x 4
Φ25mm	

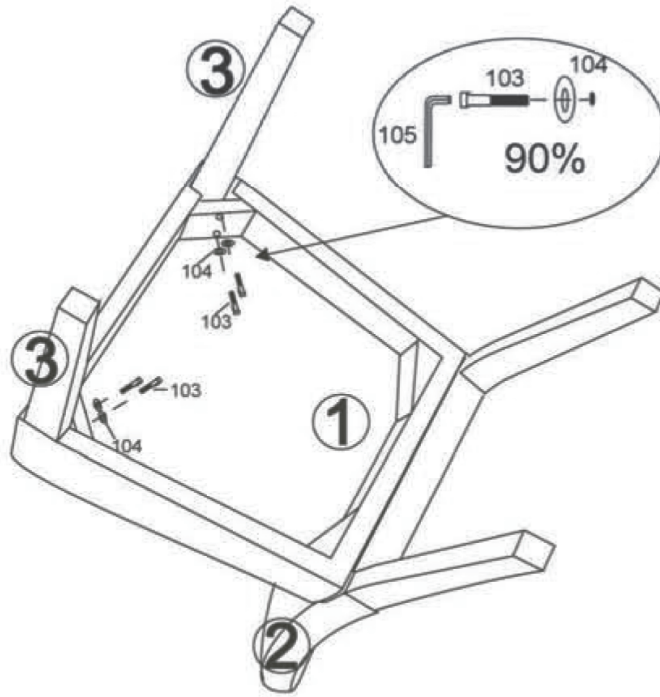
1




2

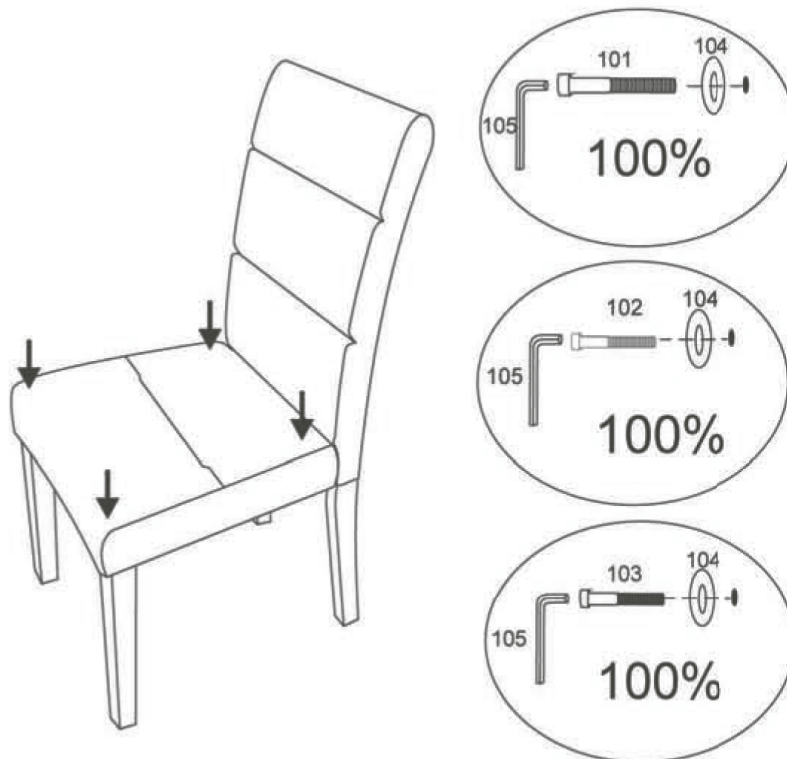


3

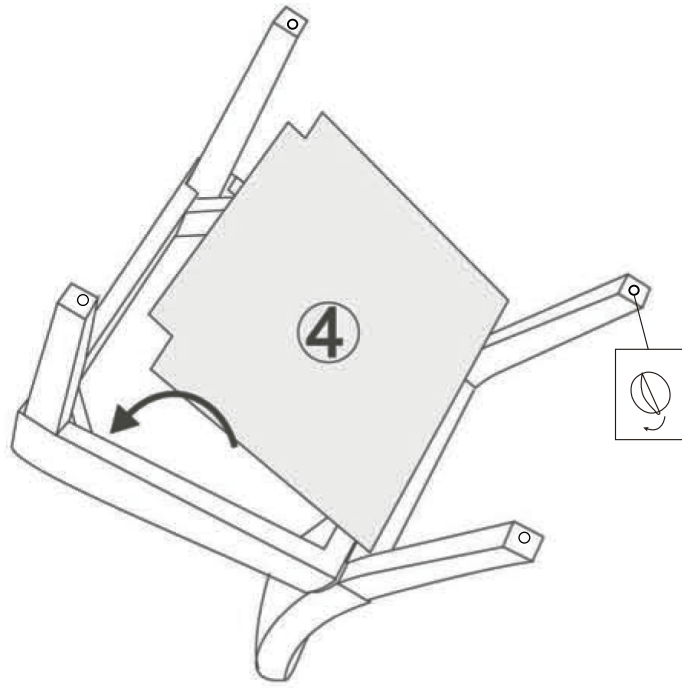


103	x4
	
M8x60MM	

4



5



6

